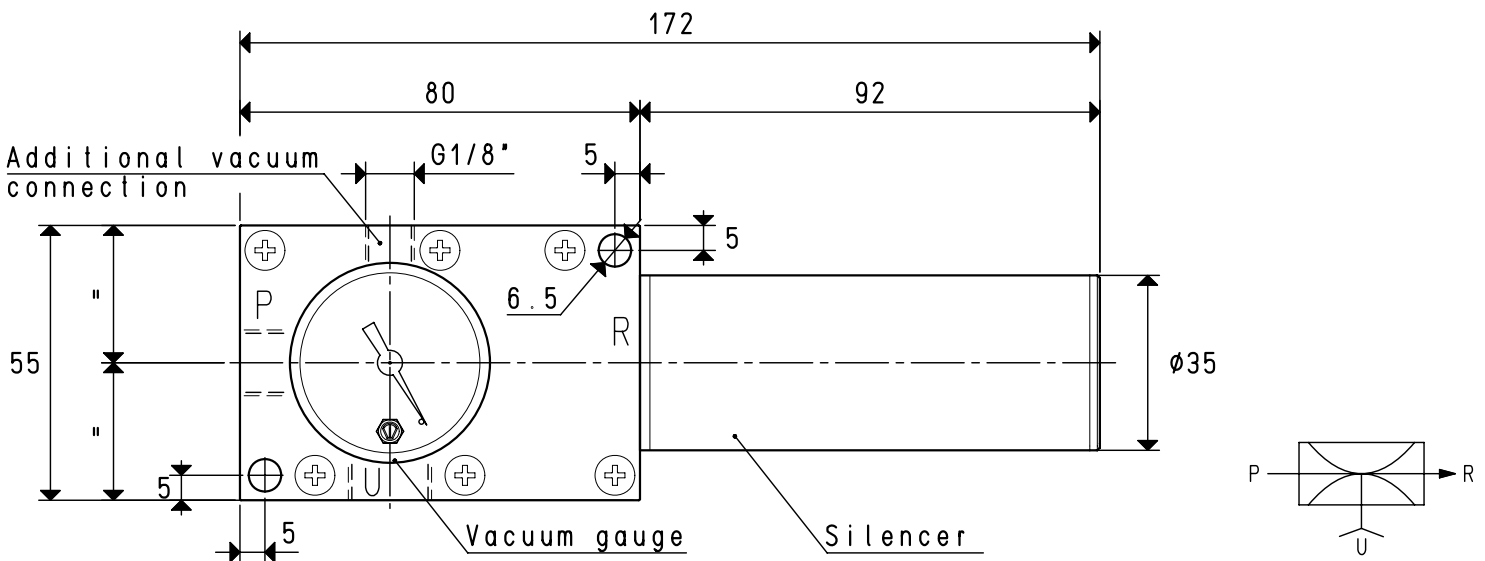
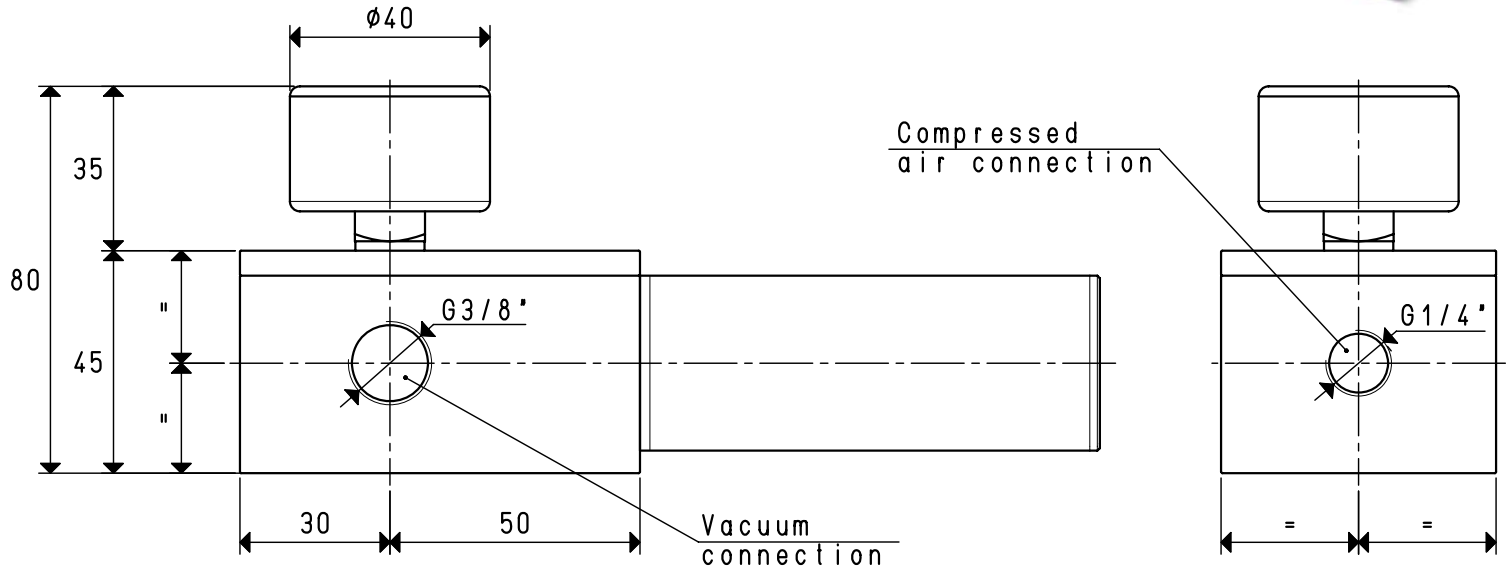


SINGLE STAGE VACUUM GENERATORS PVP7-14-18 SX



P=Compressed air connection R=Exhaust U=Vacuum connection

Art.		PVP7 SX			PVP14 SX			PVP18 SX		
Quantity of sucked air	mc/h	8.5	8.8	8.9	13.5	13.7	14.0	17.5	17.8	18.0
Max vacuum level	-KPa	60	73	85	60	73	85	60	73	85
Final pressure	mbar ass.	400	270	150	430	270	160	430	270	160
Supply pressure	bar	4	5	6	4	5	6	4	5	6
Air consumption	NI/s	2.3	2.8	3.2	3.4	4.1	4.8	4.7	5.6	6.5
Working temperature	°C			-20/+80			-20/+80			-20/+80
Noise level	dB(A)			63			65			67
Weight	g			470			480			490
Spare parts										
Sealing Kit	Art.			00 15 276			00 15 276			00 15 276
Vcuum gauge	Art.			09 03 15			09 03 15			09 03 15
Silencer	Art.			SSX 3/4 R			SSX 3/4 R			SSX 3/4 R

NOTE: All the vacuum data indicated in the table are valid at the normal atmospheric pressure of 1013 mbar and are obtained with a constant supply pressure