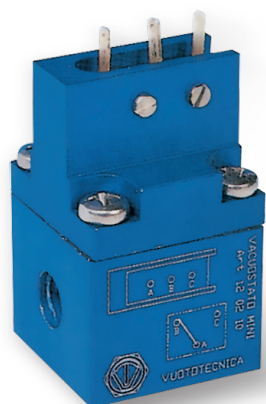


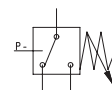
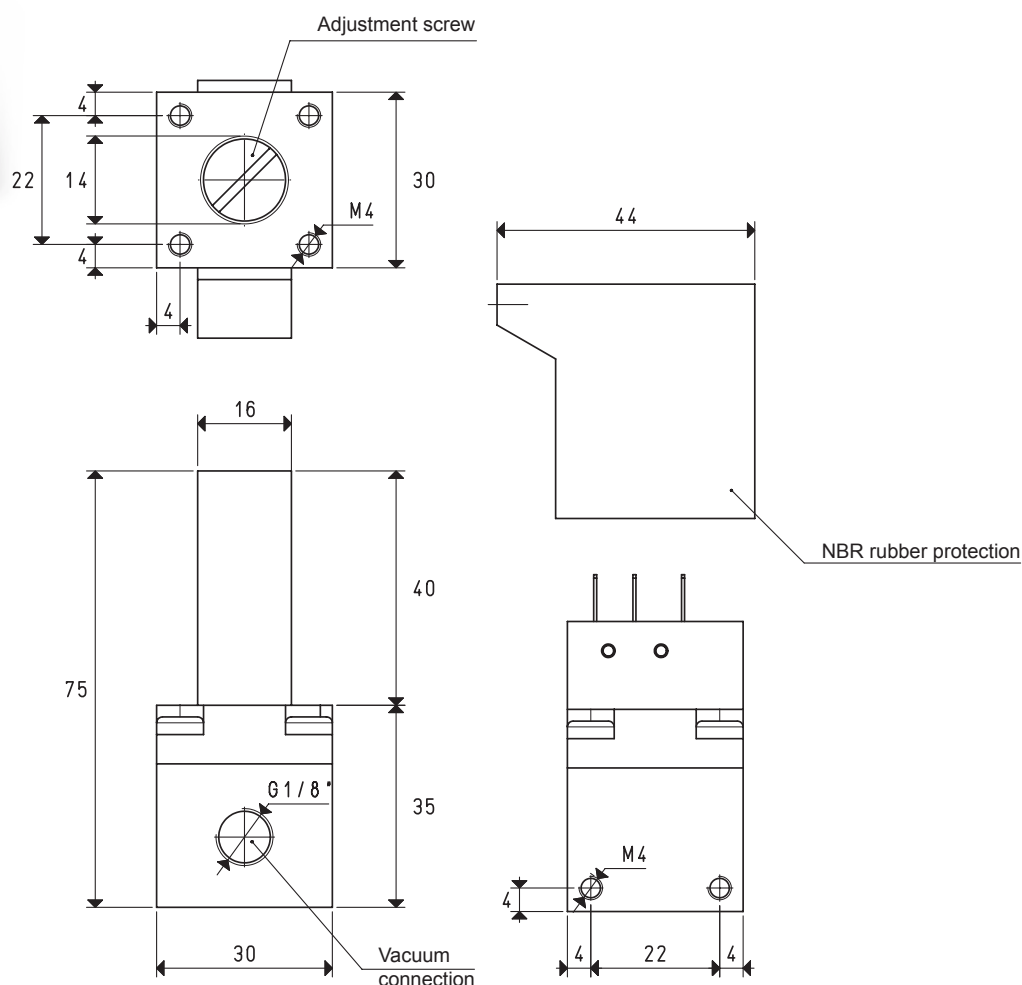
## MINI ELECTROMECHANICAL VACUUM SWITCHES



These vacuum switches feature reduced overall dimensions and give an electric signal when a certain adjustable vacuum level is reached. The pressure differential existing between the set maximum value and the value of reset of the rest signal is 50 ÷ 60 mbar and it is not adjustable.

They are particularly suited when an electrical signal is needed when a certain vacuum level is reached, for safety, for starting a cycle, for checking the cup grip, etc.

3



<b>Art.</b>		<b>12 02 10</b>
<b>Adjustment range</b>	mbar abs.	930 ÷ 10
<b>Fixed differential</b>	mbar	50 ÷ 60
<b>Repeatability</b>	mbar	±1.5
<b>Microswitch</b>	art.	00 12 12
<b>Contacts</b>		one change-over
<b>Contact capacity</b>	A	3 a 250 V in A.C.
<b>Electrical connections</b>		110-type fast-on terminals
<b>Working temperature</b>	°C	-25 ÷ +80
<b>Protection</b>		IP 55
<b>Weight</b>	g	102

3D drawings available at [www.vuototecnica.net](http://www.vuototecnica.net)

Conversion ratio: inch =  $\frac{\text{mm}}{25.4}$ ; pounds =  $\frac{\text{g}}{453.6}$  =  $\frac{\text{Kg}}{0.4536}$

GAS-NPT thread adapters available at page 1.117

3.07