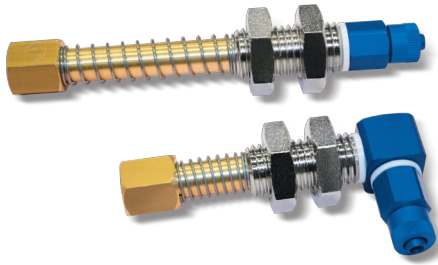


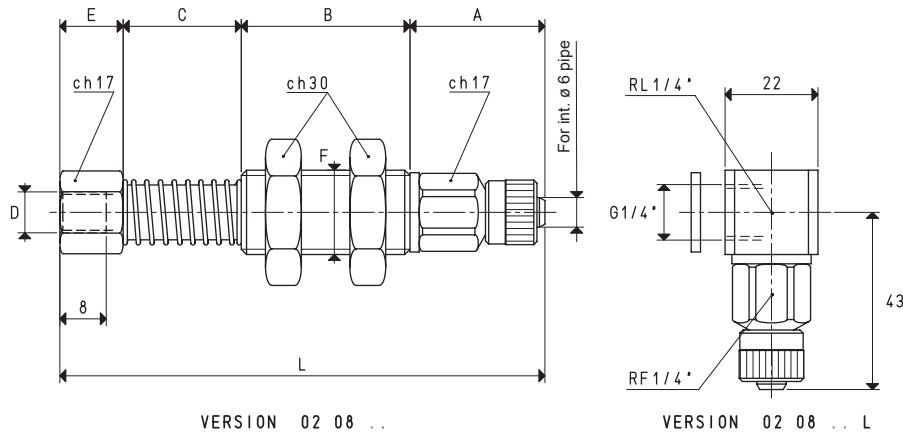
BASIC CUP HOLDERS WITH THREADED MALE AND FEMALE CONNECTORS



The distinctive feature of these cup holders is the brass stem with a threaded male or female end. The cups to be assembled onto these cup holders must be equipped with the suited threaded support. The actual springing stroke is:

- For height C= 28 mm 16 mm
- For height C= 65 mm 49 mm
- For height C= 95 mm 74 mm

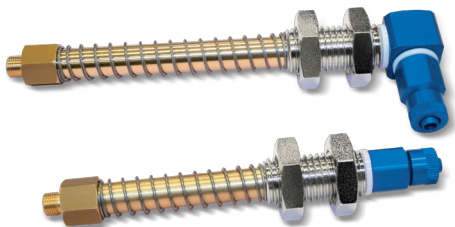
Basic cup holders with threaded female connectors



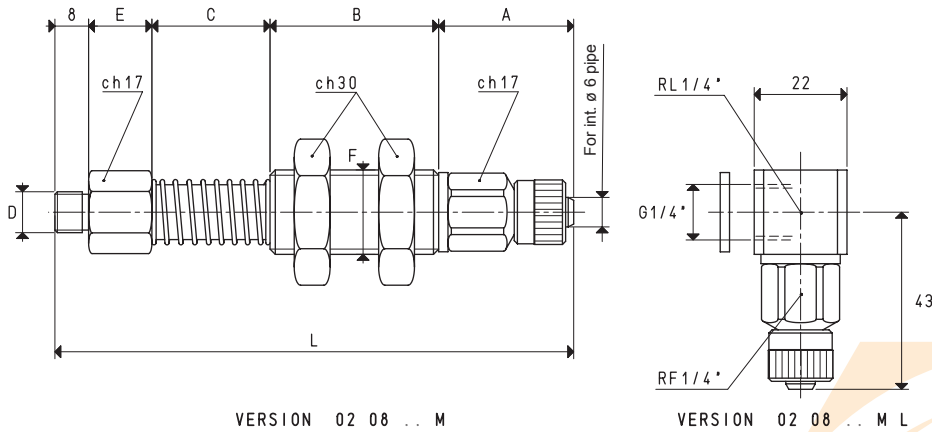
VERSION 02 08 ... CUP HOLDERS WITH STRAIGHT QUICK COUPLER FOR PLASTIC HOSE Ø 6 X 8

Art.	A	B	C	D Ø	E	F Ø	L	Weight g
02 08 28	32	40	28	G1/8"	15	M20	115	207
02 08 65	32	40	65	G1/8"	15	M20	152	243
02 08 95	32	40	95	G1/8"	15	M20	182	272

Note: Add the letter L to the code to order L-type fittings.



Basic cup holders with threaded male connectors



VERSION 02 08 ... M CUP HOLDERS WITH STRAIGHT QUICK COUPLER FOR PLASTIC HOSE Ø 6 X 8

Art.	A	B	C	D Ø	E	F Ø	L	Weight g
02 08 28 M	32	40	28	G1/8"	15	M20	123	216
02 08 65 M	32	40	65	G1/8"	15	M20	160	252
02 08 95 M	32	40	95	G1/8"	15	M20	190	282

Note: Add the letter L to the code to order L-type fittings.

Conversion ratio: inch = $\frac{mm}{25.4}$; pounds = $\frac{g}{453.6}$ = $\frac{Kg}{0.4536}$

3D drawings available at www.vuototecnica.net