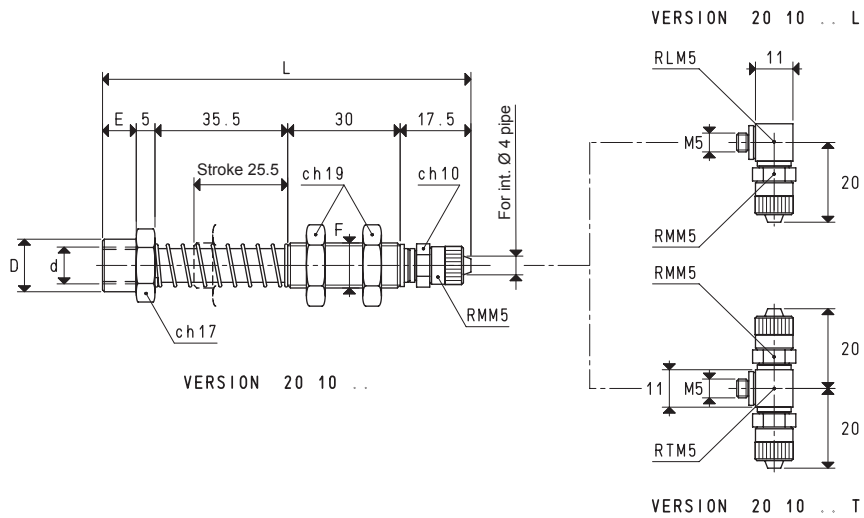
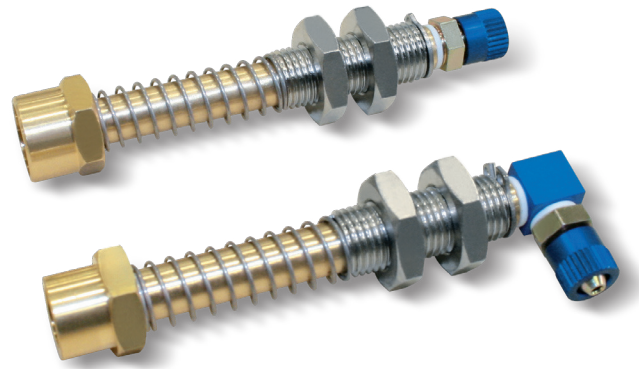


## MINI CUP HOLDERS FOR CUPS WITH SUPPORT

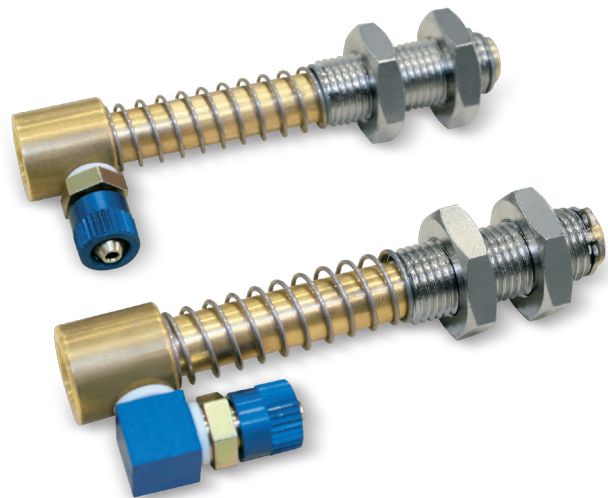
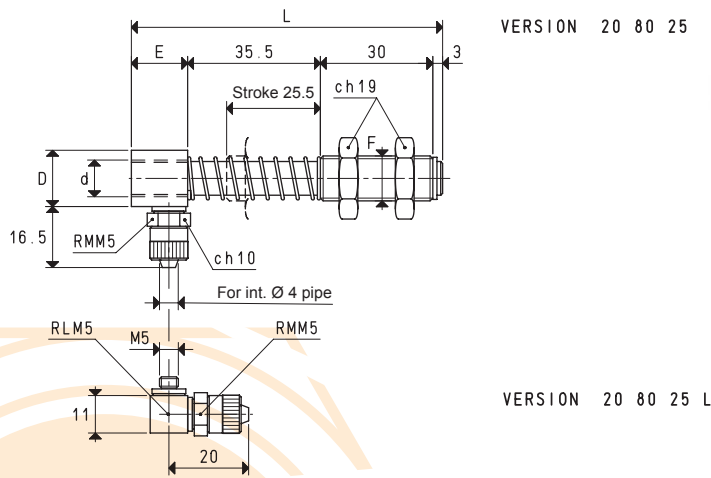
The cup holders described in these pages share the same features as the previously described ones, but differ for their brass stem, which has 1/8" and 1/4" gas threaded female connection, for the exclusive installation of cups with male threaded support and for the vacuum connection, which can either be radial or axial.



### CUP HOLDERS WITH STRAIGHT QUICK COUPLER FOR PLASTIC HOSE Ø 4 X 6

Art.	d Ø	D Ø	E	F Ø	L	Weight g
20 10 38	G1/8"	14.0	9	M12 x 1.25	97	78
20 10 48	G1/4"	16.5	9	M12 x 1.25	97	78

**Note:** Add the letter L or T to the code to order cup holders with L or T-type fitting.



### CUP HOLDERS WITH STRAIGHT QUICK COUPLER FOR PLASTIC HOSE Ø 4 X 6

Art.	d Ø	D Ø	E	F Ø	L	Weight g
20 80 25	G1/8"	15	15	M12 x 1.25	83.5	82

**Note:** Add the letter L to the code to order L-type fittings.

2.16

Conversion ratio: inch =  $\frac{\text{mm}}{25.4}$  ; pounds =  $\frac{\text{g}}{453.6} = \frac{\text{Kg}}{0.4536}$