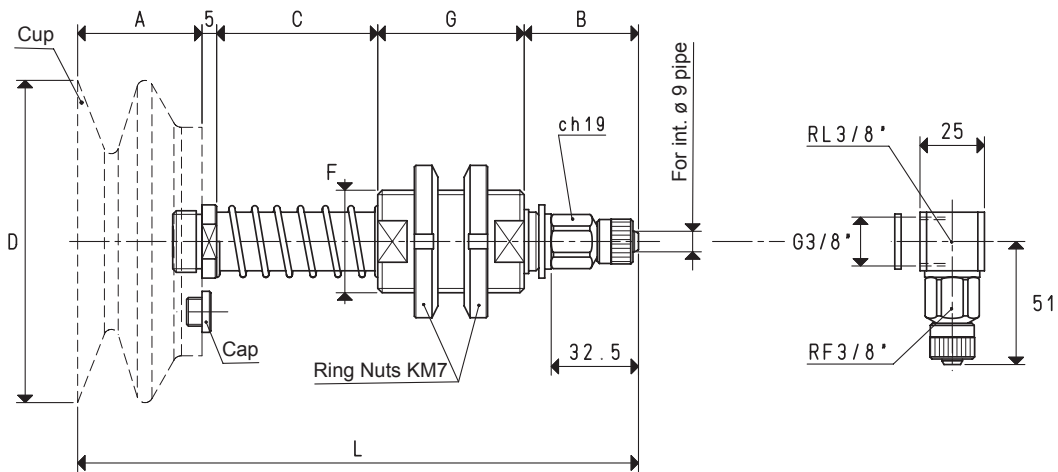
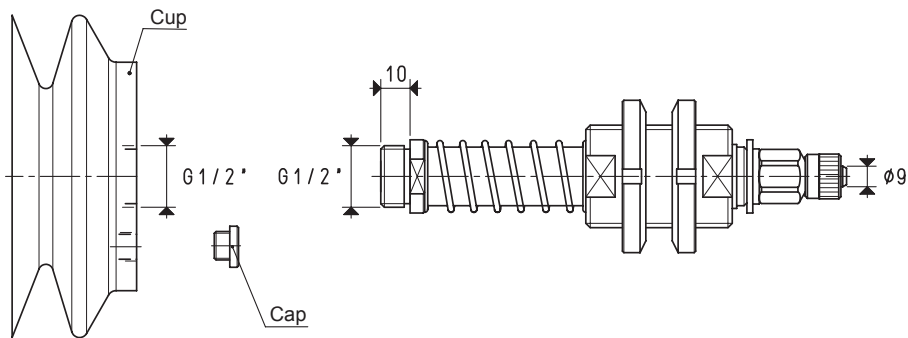
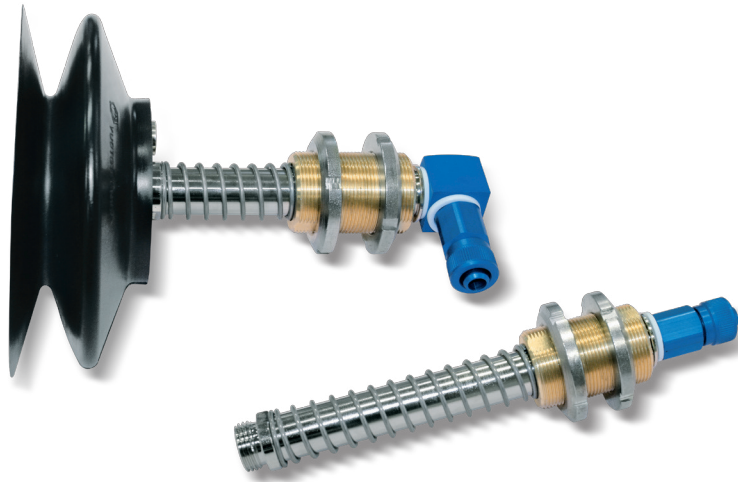


# SPECIAL CUP HOLDERS FOR BELLOW CUPS

The actual springing stroke is:

- For height C= 55 mm 37 mm
- For height C= 110 mm 84 mm



VERSION 06 ... 30

VERSION 06 ... 30 L

## CUP HOLDERS WITH STRAIGHT QUICK COUPLER FOR PLASTIC HOSE Ø 9 X 12

Art.	Force Kg	A	B	*C	D Ø	F Ø	G	L	Cup art.	Cap included art.	C = 110 mm	
											Weight Kg	Weight Kg
06 110 30	23.74	45	45	55	110	M35 x 1.5	50	200	08 110 30	00 11 44	0.97	1.08
06 150 30	45.00	60	45	55	150	M35 x 1.5	50	215	08 150 30	00 11 44	1.09	1.20
06 180 30	63.50	70	45	55	180	M35 x 1.5	50	225	08 180 30	00 11 44	1.45	1.56

**Note:** Cups are not an integral part of the cup holders, therefore, they must be ordered separately.

Add the letter L to the code to order L-type fittings.

\* Also available with height C of 110 mm

2.118

Conversion ratio: inch =  $\frac{mm}{25.4}$ ; pounds =  $\frac{g}{453.6} = \frac{Kg}{0.4536}$