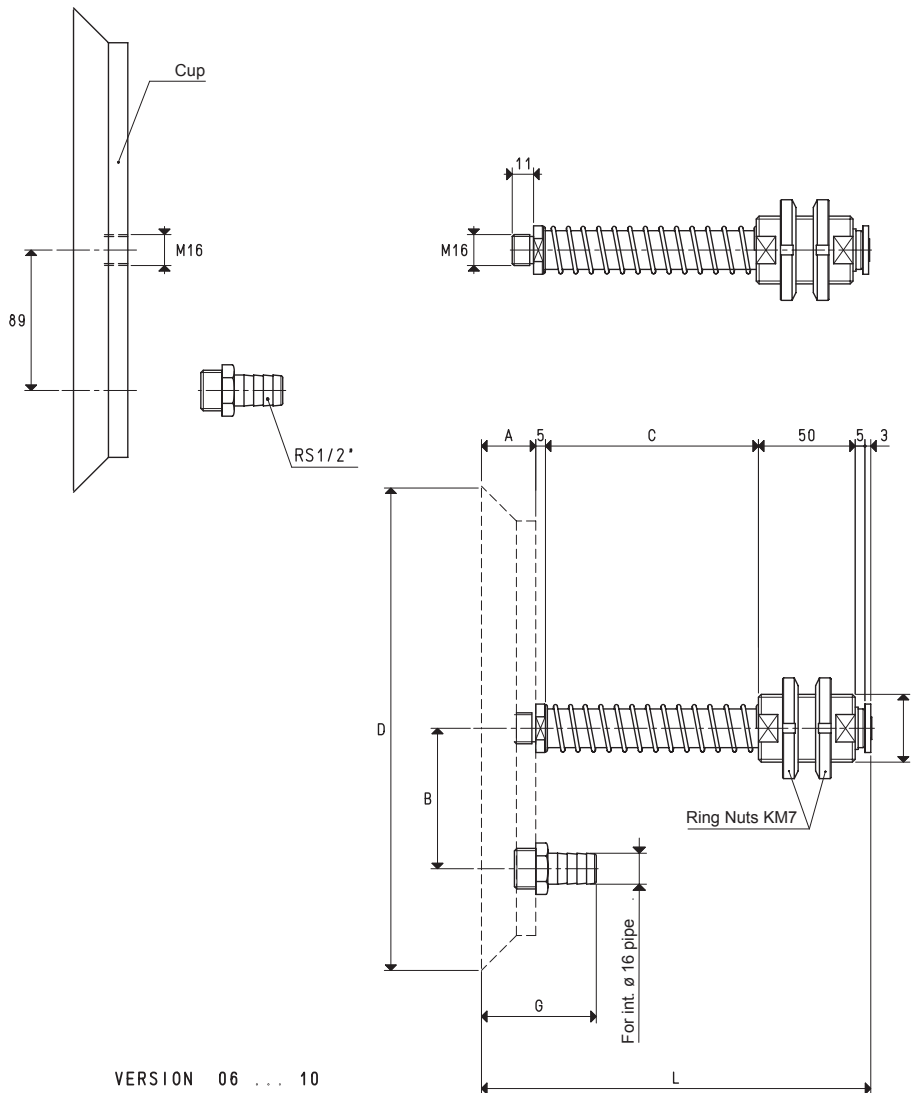
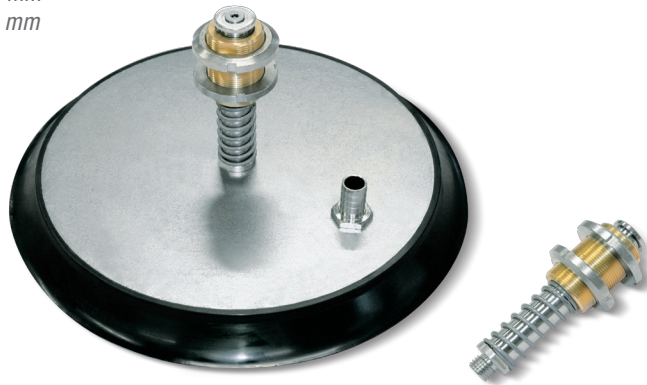


SPECIAL CUP HOLDERS

The actual springing stroke is:

- For height C= 55 mm 37 mm
- For height C= 110 mm 84 mm



VERSION 06 ... 10

CUP HOLDERS WITH HOSE-END FITTING FOR PLASTIC HOSE Ø 16 X 18

C = 110 mm

Art.	Force Kg	A	B	*C	D Ø	F Ø	G	L	Cup art.	Weight Kg	Weight Kg
06 300 10	176.6	31	89	55	300	M35 x 1.5	61	149	08 300 10	5.42	5.56
06 350 10	240.0	31	89	55	350	M35 x 1.5	61	149	08 350 10	7.30	7.43

Note: Cups are not an integral part of the cup holders, therefore, they must be ordered separately.

* Also available with height C of 110 mm

2.116

Conversion ratio: $\text{inch} = \frac{\text{mm}}{25.4}$; $\text{pounds} = \frac{\text{g}}{453.6} = \frac{\text{Kg}}{0.4536}$

3D drawings available at www.vuototecnica.net