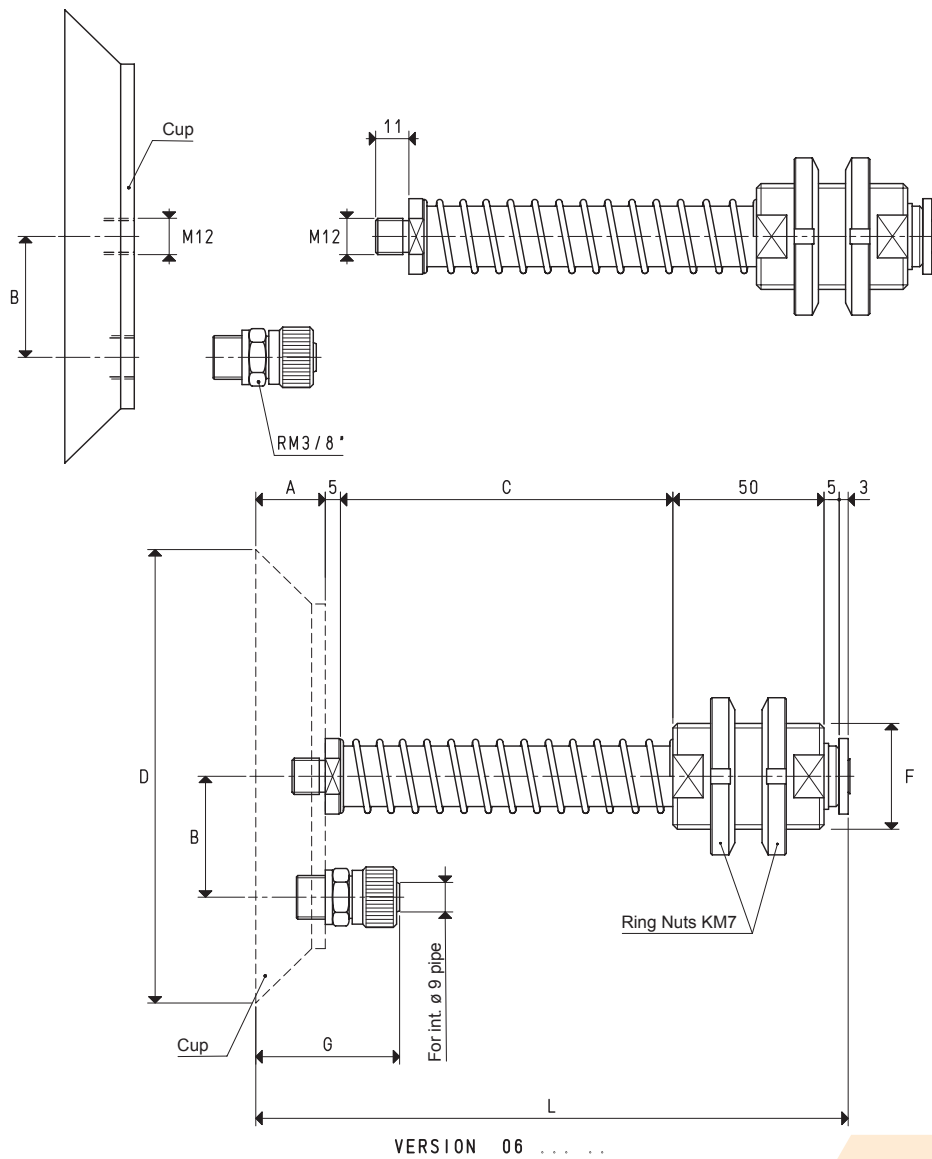
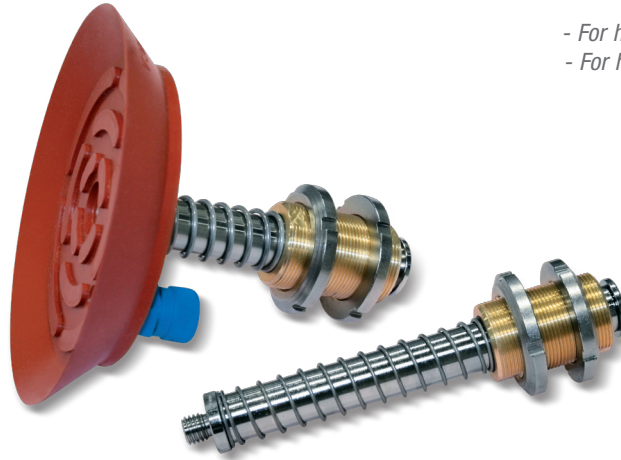


SPECIAL CUP HOLDERS

- The actual springing stroke is:
- For height C= 55 mm 37 mm
 - For height C= 110 mm 84 mm

2



CUP HOLDERS WITH STRAIGHT QUICK COUPLER FOR PLASTIC HOSE Ø 9 X 12

Art.	Force Kg	A	B	*C	D Ø	F Ø	G	L	Cup art.	C = 110 mm	
										Weight Kg	Weight Kg
06 150 15	45.00	26	40.0	55	150	M35 x 1.5	50	144	08 150 15	1.51	1.64
06 200 10	78.50	28	47.5	55	200	M35 x 1.5	52	146	08 200 10	2.42	2.54
06 250 10	122.60	28	72.5	55	250	M35 x 1.5	52	146	08 250 10	3.68	3.80

Note: Cups are not an integral part of the cup holders, therefore, they must be ordered separately.

* Also available with height C of 110 mm

Conversion ratio: inch = $\frac{\text{mm}}{25.4}$; pounds = $\frac{\text{g}}{453.6}$ = $\frac{\text{Kg}}{0.4536}$

2.113

3D drawings available at www.vuototecnica.net