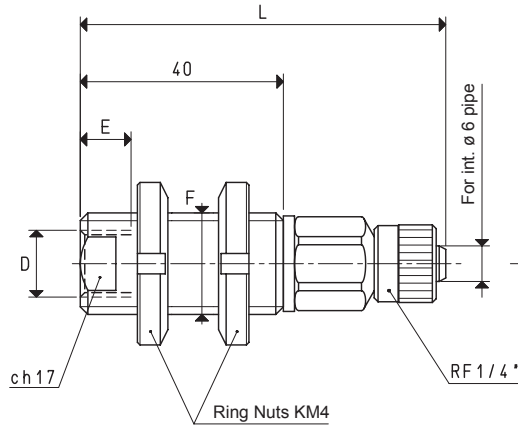
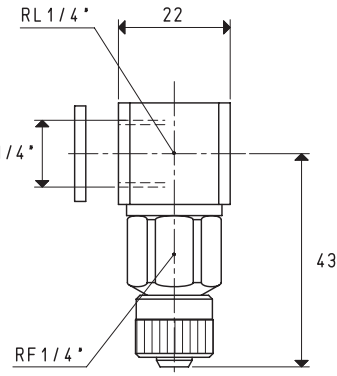


BASIC CUP HOLDERS FIX

They are simply nickel-plated brass threaded bushes, with screwing nuts for height adjustment and with threaded ends, one to assemble the vacuum cup with support and the other for the quick coupling connecting the suction hose.



VERSION 02 91 01

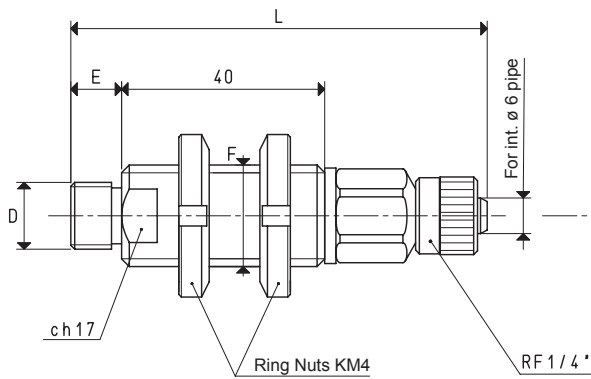


VERSION 02 91 01 L

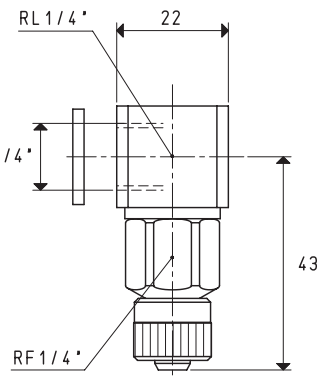
CUP HOLDERS WITH STRAIGHT QUICK COUPLER FOR PLASTIC HOSE Ø 6 X 8

Art.	D Ø	E	F Ø	L	Weight g
02 91 01	G1/4"	10	M20 x 1	74	162

Note: Add the letter L to the code to order L-type fittings.



VERSION 02 91 ...



VERSION 02 91 ... L

CUP HOLDERS WITH STRAIGHT QUICK COUPLER FOR PLASTIC HOSE Ø 6 X 8

Art.	D Ø	E	F Ø	L	Weight g
02 91 05	G1/4"	10	M20 x 1	84	170
02 91 06	G3/8"	10	M20 x 1	84	174

Note: Add the letter L to the code to order L-type fittings.

3D drawings available at www.vuototecnica.net

2.102

Conversion ratio: inch = $\frac{\text{mm}}{25.4}$; pounds = $\frac{\text{g}}{453.6} = \frac{\text{Kg}}{0.4536}$