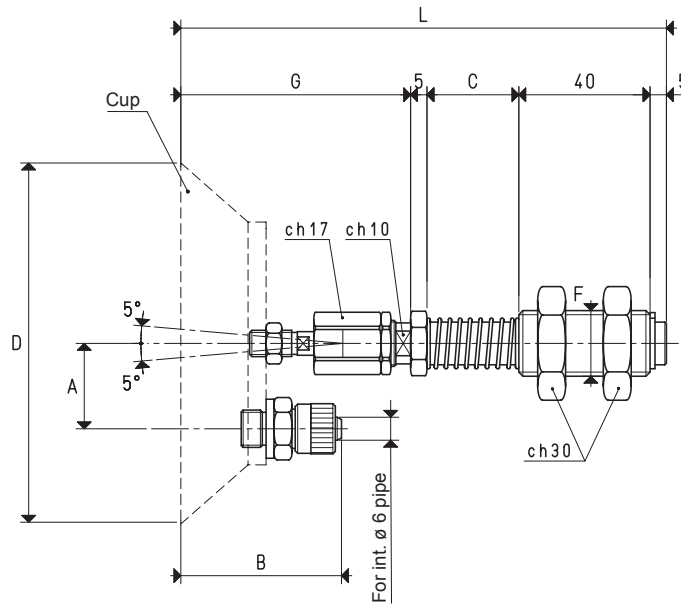
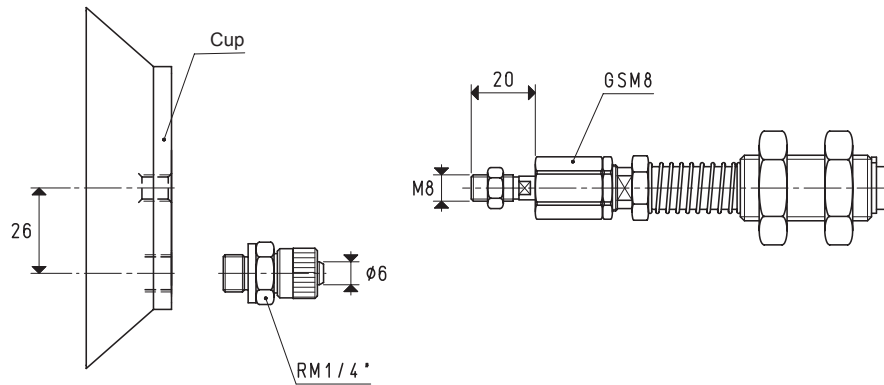
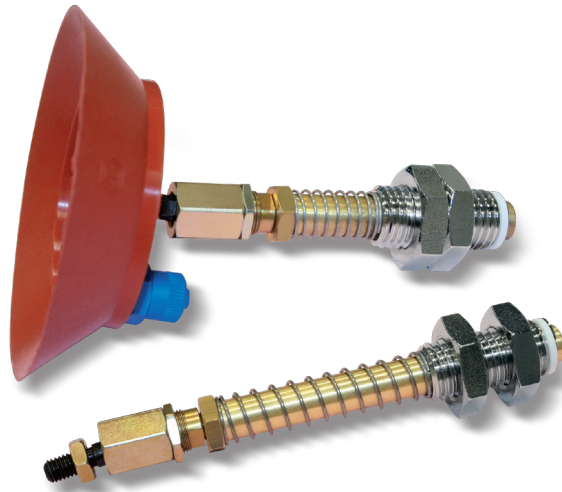


# BASIC ARTICULATED CUP HOLDERS

The actual springing stroke is:

- For height C= 28 mm      16 mm
- For height C= 65 mm      49 mm
- For height C= 95 mm      74 mm



VERSION 02 110 22

## CUP HOLDERS WITH STRAIGHT QUICK COUPLER FOR PLASTIC HOSE Ø 6 X 8

Art.	Force Kg	A	B	*C	D Ø	F Ø	G	L	Cup art.	Weight g	C = 65 mm	C = 95 mm
											Weight g	Weight g
02 110 22	23.74	26	46	28	110	M20	61	139	08 110 40 M8	603	654	683

**Note:** Cups are not an integral part of the cup holders, therefore, they must be ordered separately.

\* Also available with height C of 65 mm and 95 mm.

2.100

Conversion ratio: inch =  $\frac{\text{mm}}{25.4}$ ; pounds =  $\frac{\text{g}}{453.6} = \frac{\text{Kg}}{0.4536}$