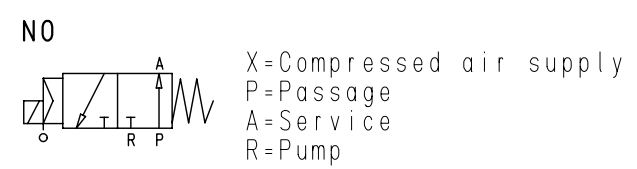
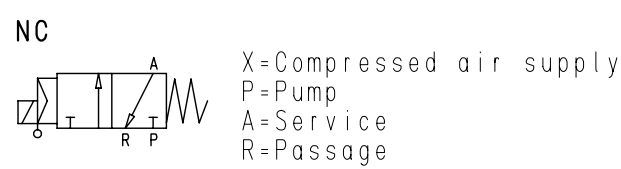
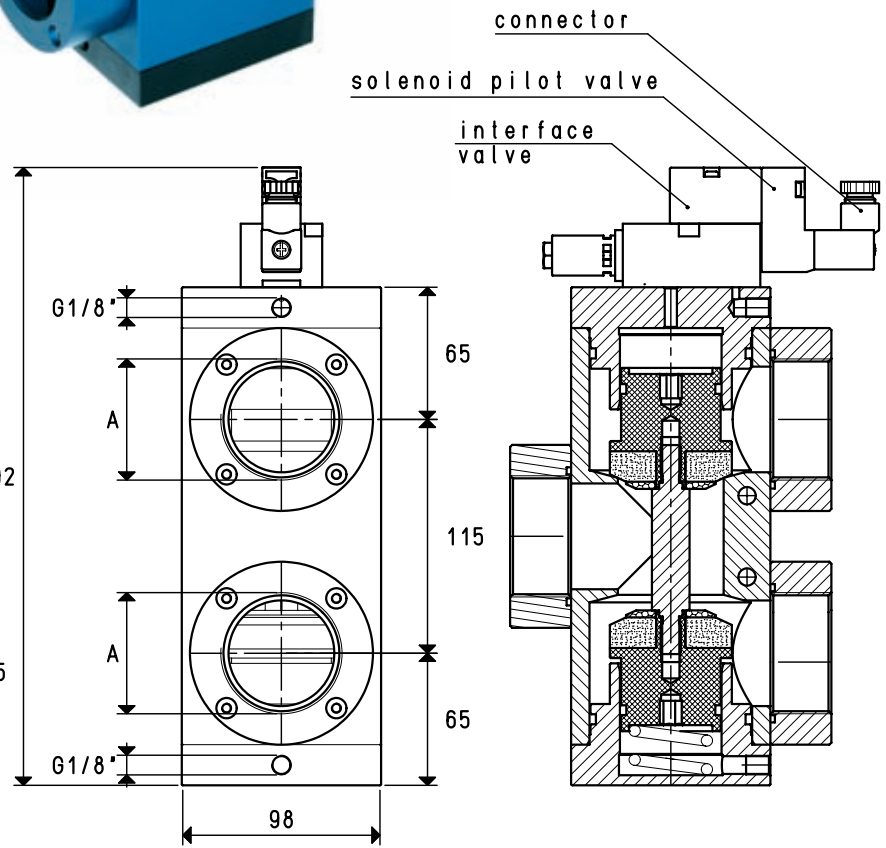
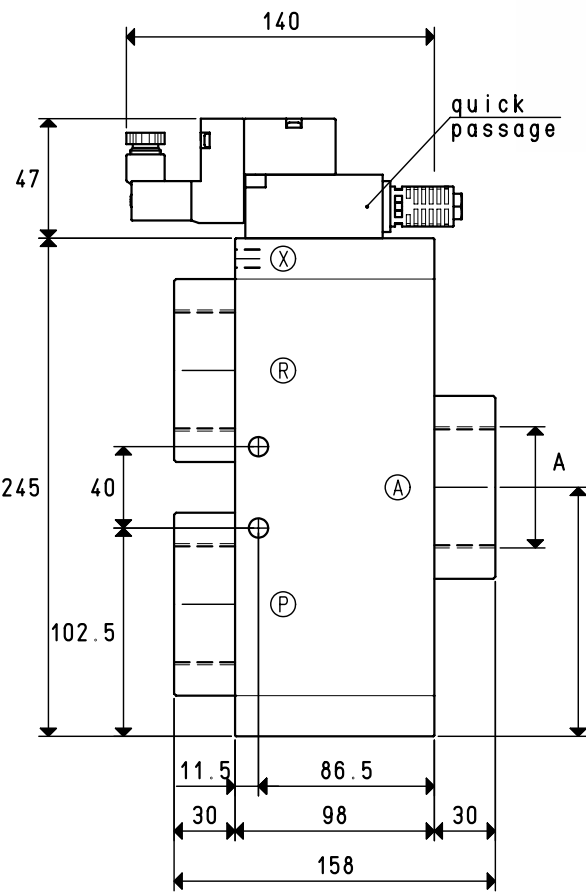


# SERVO-CONTROLLED 3-WAY VACUUM SOLENOID VALVES WITH LOW ABSORPTION ELECTRIC COIL



Art.	A	Max capacity Nmc/h	Vacuum level mbar abs		Reaction time msec		Ø orifice	Passage section mm <sup>2</sup>	Servo-control pressure * bar	Peso Kg
			min	max	ecc.	disecc.				
07 08 13	1	300	1000	0.5	110	70	52	2123	4+8	5.87

Note: Please specify the electric coil voltage in the order (E.g.: 07 06 13 V24-CC)  
The connector is not integral part of the solenoid valve and, therefore, must be ordered separately  
(See solenoid valve accessories)